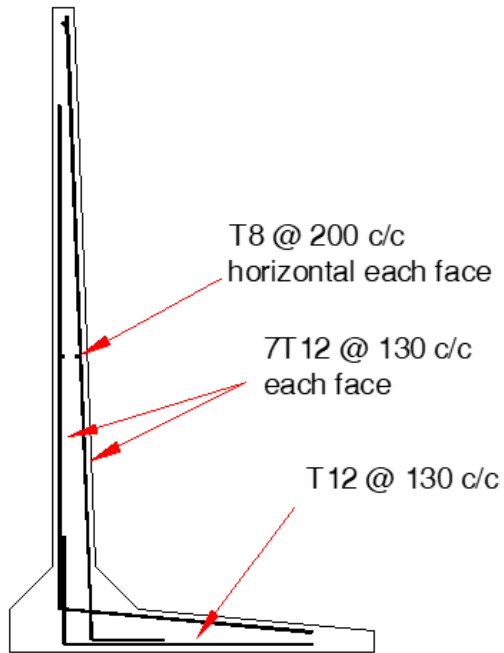


L Walls



L-Wall Steel Reinforcement

- Steel reinforcement available
- Heights available: 2m, 2.5m and 3m
- Can be used for agricultural, commercial or residential use
- Corner units available

