



O Reilly Bros
Taghart South, Shercock, Co. Cavan, Ireland

13

EN 771-3:2011
Category II, Airtight Cavity Block, Aggregate Concrete Masonry Unit

Dimensions: Length 440mm, Width 215mm, Height 215mm

Dimensional Tolerance:

Category: D2
Flatness: NPD
Plane parallelism: NPD

Configuration: Solid, as in attached drawing

Compressive Strength: 10 N/mm² (bedface). (Cat II)

Dimensional Stability: Moisture Movement: NPD

Shear Bond Strength: NPD

Flexural Bond Strength: NPD

Reaction to Fire: Euroclass A1

Water absorption: Not to be left exposed

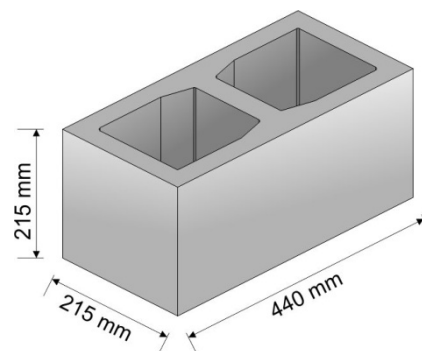
Water vapour diffusion coefficient: NPD

Direct airborne sound insulation: NPD

Thermal Conductivity: NPD

Durability against freeze-thaw: Not to be left exposed

Dangerous Substances: NPD



DECLARATION OF PERFORMANCE

O Reilly Bros Ltd, Larchfield, Kingscourt Co. Cavan, Ireland (manufacturer)

Taghart South, Shercock, Co. Cavan (place of production)

Confirms that:

215mm Cavity Airtight Masonry Block

Conforms to the Harmonised Standard: EN 771-3:2011

Category II, 440mm x 215mm x 215mm Aggregate Concrete Masonry Unit

Provision to which the product conforms: Standard: Annex ZA of EN 771-3:2011, System 4

Dimensional Tolerance: Category D2

Configuration: Solid, As in attached drawing

Compressive Strength: 10 N/mm² (bedface). (Cat II)

Dimensional Stability: Moisture Movement: NPD

Shear Bond Strength: NPD

Flexural Bond Strength: NPD

Reaction to Fire: Euroclass A1

Water absorption: Not to be left exposed

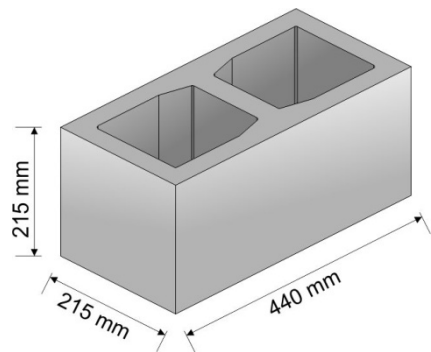
Water vapour diffusion coefficient: NPD

Direct airborne sound insulation: NPD

Thermal Conductivity: NPD

Durability against freeze-thaw: Not to be left exposed

Dangerous Substances: NPD



The performance of the product identified above is in conformity with the declared values, when installed in accordance with the manufacturer's instructions and general purpose or lightweight mortars.

Signed:

Full name: Barry O'Reilly
Position: Managing Director
Date: 26 June 2013